

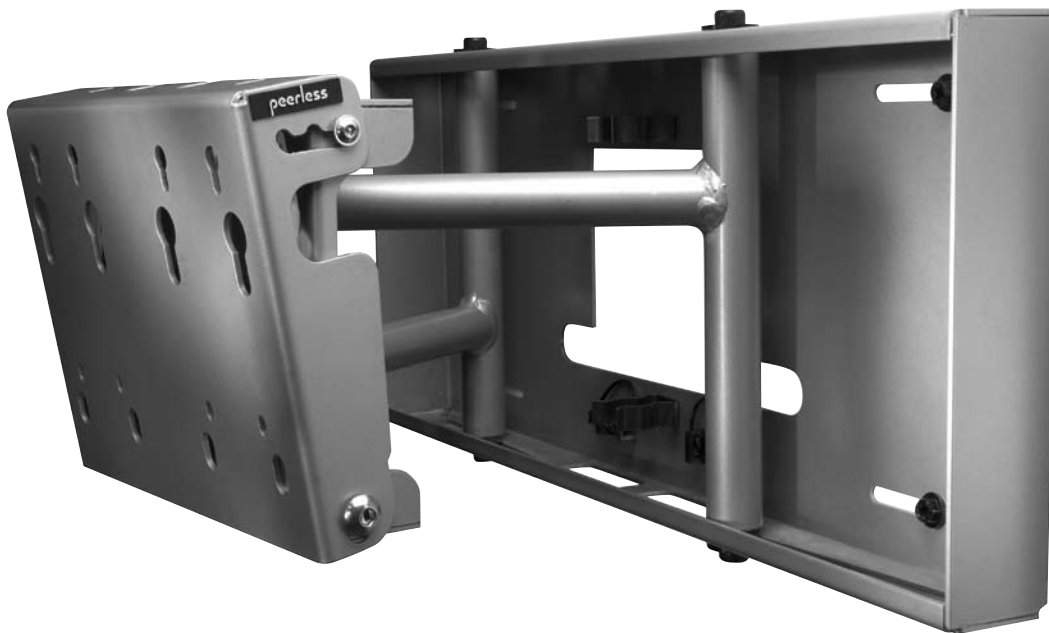
SmartMount™

Pull-Out Swivel Wall Mount

For 26" to 50" LCD & Plasma Flat Panel Screens

New Tilt and Roll Design!

Patent Pending



The SmartMount™ Pull-Out Swivel Wall Mount combines the best features of a wall mount and a pivot arm. In the closed position, the SP850 acts as a flat or tilting wall mount. At only 2.25" away from the wall, its unique wall plate and built-in cable management neatly hide all components and cords. Extended, the SP850's sturdy arm construction smoothly glides the screen out 10.75" from the wall and allows the screen to pivot up to 45 degrees. This feature not only enables the screen to be positioned for an optimal viewing angle, but it also provides easy access to the back of the screen for maintenance. The SP850 is also ideal in applications where the screen needs to be recessed into a cubby hole, custom frame or aligned into a video wall.

- 2.25" deep in collapsed position
- 10.75" extension
- 0°, 5°, 10° lockable tilt
- +/-1° roll
- Up to 45° swivel

SP850



SmartMount™

Pull-Out Swivel Wall Mount

For 26" to 50" LCD & plasma flat panel screens

Model Numbers

- SP850, SP850-S (VESA 100 and 200x100 security models)
- SP850P, SP850P-S (VESA 100 and 200x100 non-security models)
- SP850-UNL, SP850-UNL-S (universal security models)
- SP850-UNLP, SP850-UNLP-S (universal standard models)

Product Specifications

- VESA 100 and 200 x 100 compatible (PLP or LC model adapter plate required for non-VESA screens)
- Pull-out swivel with up to 45° rotation depending on screen size
- Locking tab provides optional swivel restriction to one side
- 2.25" deep in closed position, up to 10.75" fully extended
- 0°, 5° or 10° lockable incremental tilt
- +/-1° roll for horizontal screen alignment during installation
- Built-in cord management
- Lock Key™ installation tool secures arms for screen installation
- Lock-out screw prevents unwanted extension
- Mounts to 16" wood studs, concrete, cinder block
- Includes mounting and screen attachment hardware

UL listed to 150 lb (68 kg)

21" x 9" x 2.25" (53.3 x 22.9 x 5.7 cm)

20.1 lb (9.1 kg)

Scratch resistant fused epoxy

Black: SP850, SP850P, SP850-UNL, SP850-UNLP
Silver: SP850-S, SP850P-S, SP850-UNL-S, SP850-UNLP-S

Model number	Description
LC-V400	VESA 200 x 200 adapter plate
PLP and LC models	Dedicated and universal adapter plates
MSA-101	Multi-channel speaker mount
ACC924/926	4' / 6' cable management channel
ACC309	Video conferencing shelf
PM600(W)	Accessory shelf
PM610(S)(W)	Electronics tower
PM610G(SG)(WG)	Electronics tower with glass shelves

Pending

Package Specifications

Mount, Lock Key™ installation tool, locking swivel tab, mounting and VESA 100 and 200x100 screen attachment hardware

1

SP850 models: 14.5" x 25.25" x 6" (36.83 x 64 x 15.24 cm)

SP850-UNL models: 32" x 9.75" x 12" (81.28 x 24.77 x 30.48 cm)

SP850 models: 22.4 lb (10.2 kg)

SP850-UNL models: 39 lb (17.7 kg)

SP850:	735029240297
SP850P:	735029240372
SP850-S:	735029240709
SP850P-S:	735029240716
SP850-UNL:	735029246398
SP850-UNL-S:	735029247302
SP850-UNLP:	735029247319
SP850-UNLP-S:	735029247326

Limited 5-year

Peerless Industries, Inc.

3215 W. North Avenue, Melrose Park, IL 60160

(708) 865-8870 or (800) 865-2112 Fax: (708) 865-2941 www.peerlessmounts.com

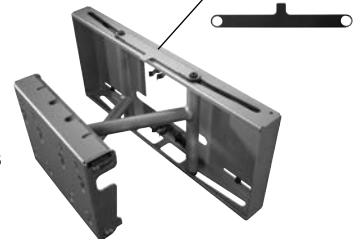
© 2006 Peerless Industries, Inc. All rights reserved.

SmartMount is a trademark and Peerless is a registered trademark of Peerless Industries, Inc.

All other brands, product names and taglines are trademarks or registered trademarks of their respective owners.



Lock Key™ installation tool



Universal model includes universal adapter plate



FEATURES

LOAD CAPACITY

DIMENSIONS (W x H x D)

PRODUCT WEIGHT

FINISH

AVAILABLE COLORS

ACCESSORIES

PATENTS

PACKAGE CONTENTS

UNITS IN PACKAGE

PACKAGE SIZE (L X W X H)

PACKAGE SHIP WEIGHT

PACKAGE UPC CODE

WARRANTY

(800) 865-2112

www.peerlessmounts.com